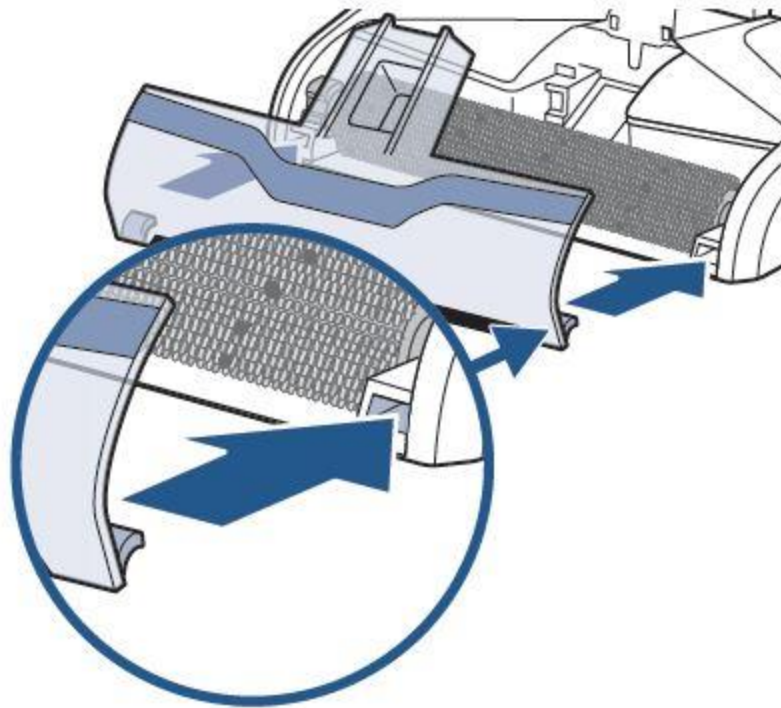


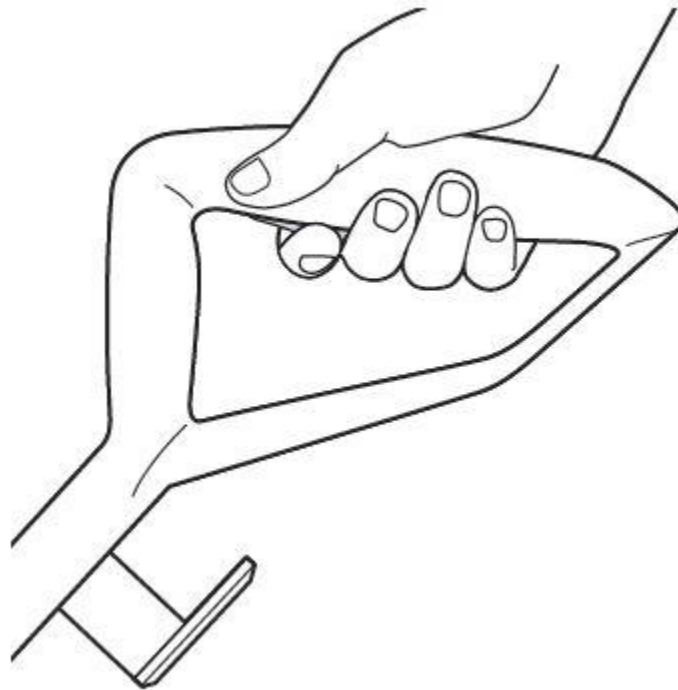
My CrossWave® Cordless Multi-Surface Wet Dry Vac is leaking | Support

Note: If there is too much water on the floor, go over the area without pressing the trigger to suction up any excess

- Remove the clean water tank from the back of the machine
 - Check for cracks, leaks or deformation on tank
 - If tank is damaged, a new tank should be ordered
- With clean tank still removed, check for cracks/leaks on black cap and damage on rubber gasket
 - If there are cracks or damage, a new cap should be ordered
- Fill clean tank with water and firmly push back onto the machine, leaving no gaps between tank and body of machine
- Remove and empty the dirty water tank
 - Inspect tank for cracks and leaks
 - If there are cracks or damage, a new dirty tank assembly needs to be ordered
- Put dirty tank back onto machine, until it clicks into place
- Remove brush window by pulling tab upward
 - Rinse to remove build-up & debris
 - Examine for cracks, if a crack is found, a new brush window needs to be ordered
 - Reattach the brush roll window by lining up the tabs on the front edges of the foot
 - Fold the window down into place until it clicks



- Turn machine on
- Hold spray trigger for 10-15 seconds and test for leaks



If machine is leaking from the side vents:

- There may be too much foam building up within - be sure to use the recommended amount of formula as indicated on the clean tank
-
- Also be sure to use the proper **CrossWave** formula (not portable or upright cleaning formulas)
- The dirty water level may have surpassed the full line and the float did not activate - empty and see if this resolves the issue
- If machine continues to leak, contact us