

## My Hydrowave has a loud noise | Support

- When the machine is reclined and a cleaning mode has been selected (deep clean or express clean), the brush will spin - this sound is normal
- When dirty tank is full, the float inside will activate and the motor pitch will change
  - This sound is normal and the dirty tank should be emptied
  - To release the dirty water tank, Unplug your machine and press down on recessed button on the top of the tank and tilt the tank slightly towards you



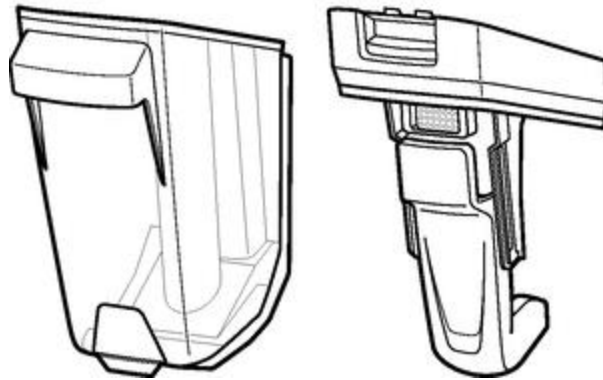
- While emptying the dirty water tank, rinse and manually move the float up and down to ensure it moves freely
- Check the dirty water tank for any cracks or damage
- If your dirty water tank is cracked or damaged, a replacement should be ordered



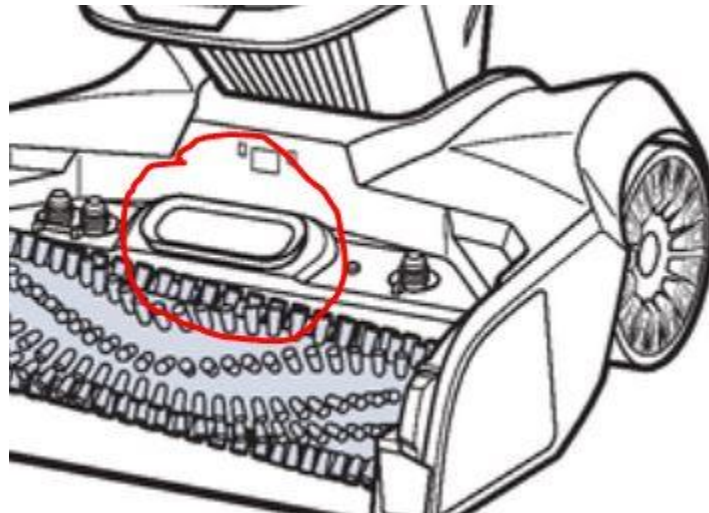
- Remove the filter from the float stack
- clear it of debris and rinse it under warm water



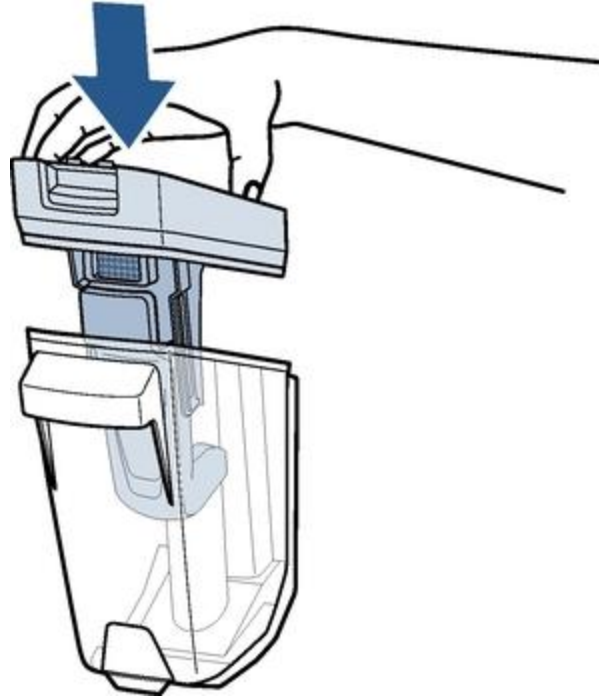
- Let all pieces completely dry before reassembling



- Clear any debris and check for damage in the suction gasket



- Put the filter back into the float stack and place the top piece and float stack back into the dirty water tank

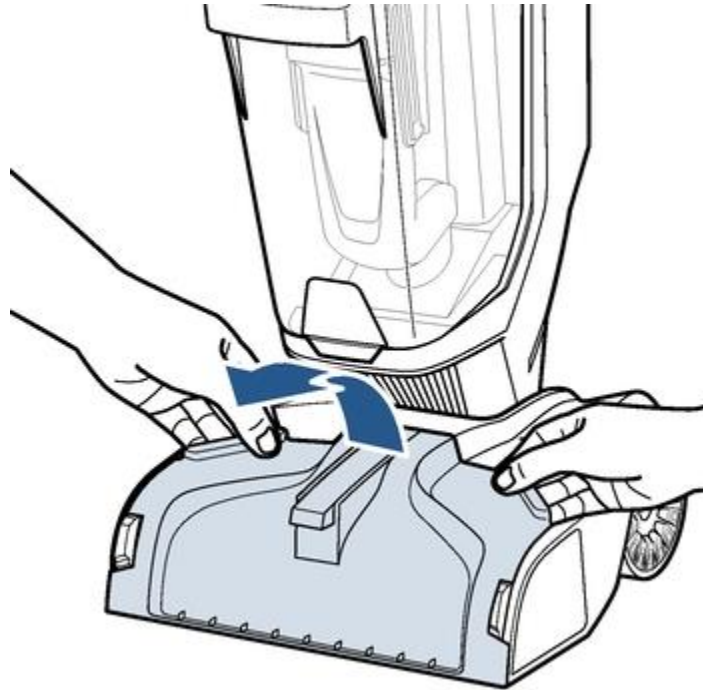


- Angle the dirty water tank back into the body of machine, inserting the bottom first
- Tilt the top of the tank toward the machine and push into place until you hear a click



- Turn off and unplug the machine
- Remove Nozzle by pulling upward on both sides of the Nozzle
- Check for cracks or damage on the nozzle

- If the Nozzle is cracked or damaged, a replacement should be ordered



If the noise is extremely loud or abnormal, [Contact Us](#)