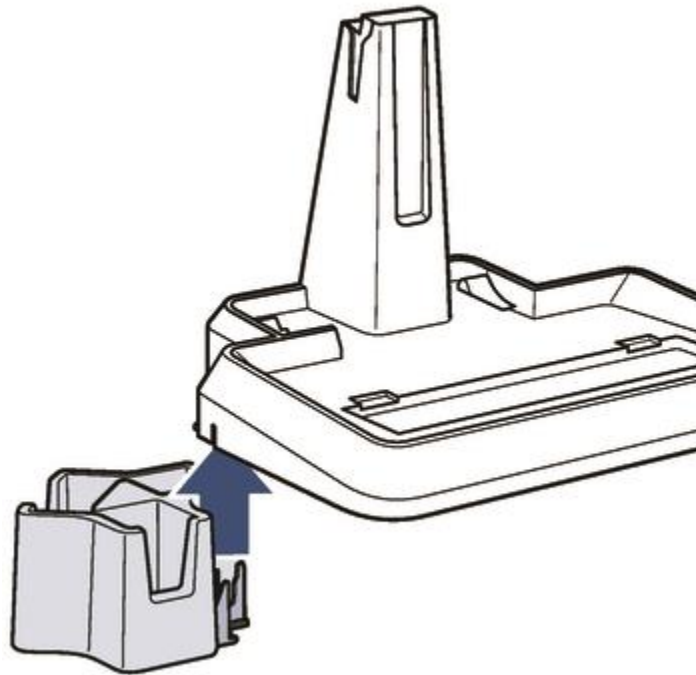


# CrossWave® Cordless Max using the 3-in-1 Docking Station & Clean out Cycle | Support

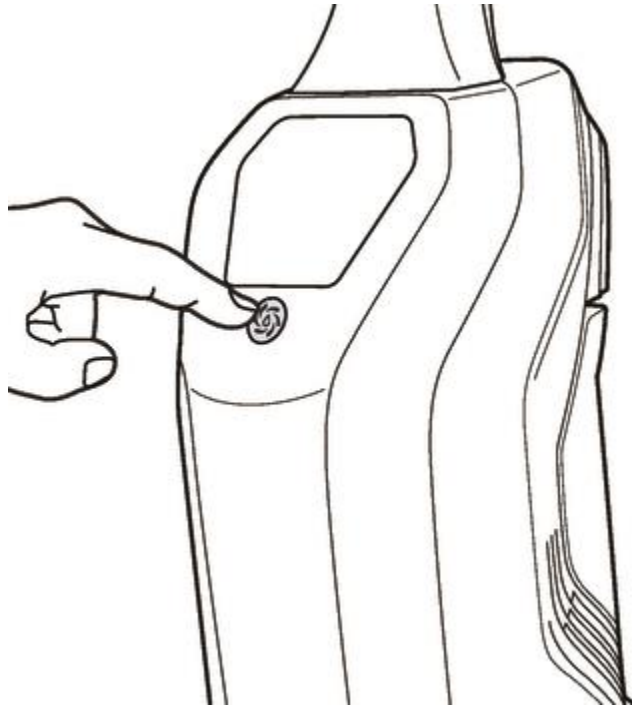
The 3-in-1 Docking Station functions as a clean out tray, charging station, and storage tray for machine, brush rolls, and filter.

- Before placing machine on 3-in-1 Docking Station make sure Brush Roll Drying Tray is installed correctly, once it is securely installed it will click and sit flush on the floor



## Clean out Cycle:

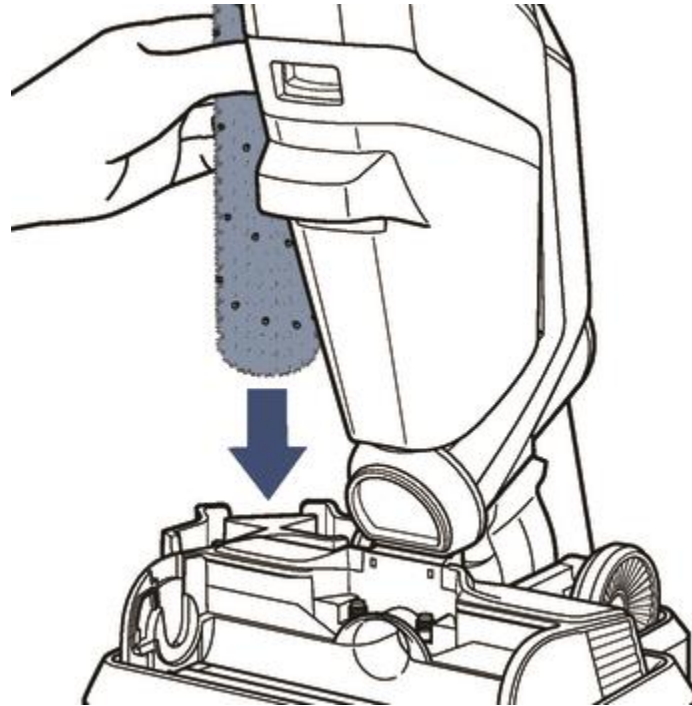
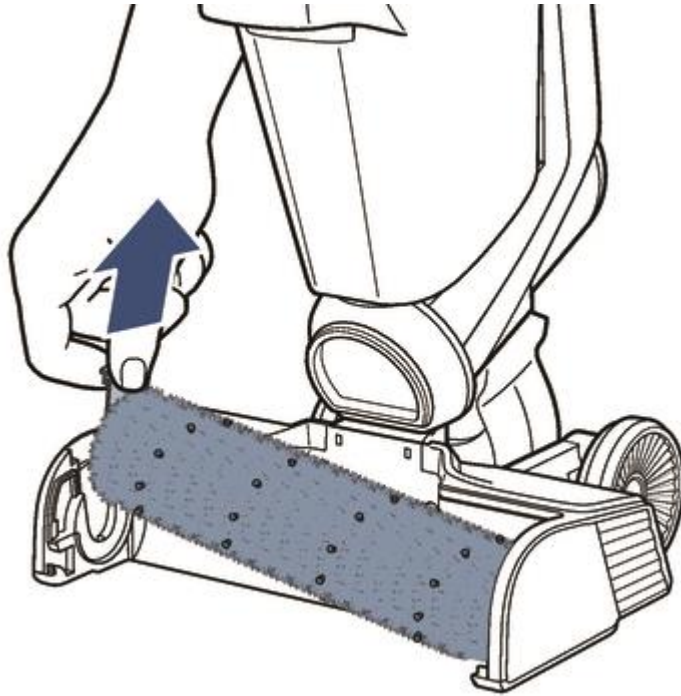
- Place machine on docking station
- Make sure docking station is plugged in
- Fill clean water tank with warm tap water to the clean out cycle icon on the tank
- Put clean water tank back on machine



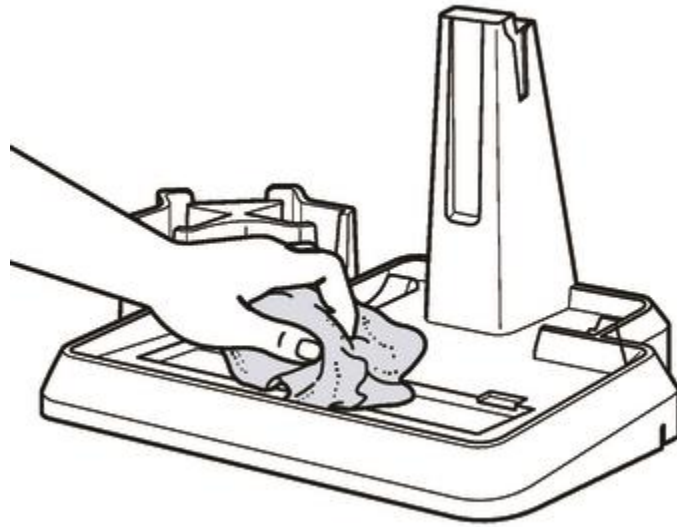
- Press clean out cycle button and let machine go through full 40 second cycle
- If machine stops in middle of cycle and orange dirt tank indicator starts blinking on digital display, remove and empty dirty water tank
- Clean out cycle button will be inactive until dirty water tank is emptied
- Place empty dirty water tank back on machine and the clean out cycle will resume
- If machine does not start the clean out cycle when the button is pushed, re-seat the machine onto the dock and allow it to charge for 10 minutes before trying again
- Repeat as needed
- When cycle is completed, remove brush roll window by grasping front and pulling upward



- Pull tab on brush up to remove brush roll
- Place brush roll in drying tray to air dry



- Take machine off docking station
- Wipe off any excess water on docking station



- Return machine to docking station
- Empty and clean both tanks before storing machine

#### Charging:

- Plug adaptor into wall outlet
- With machine on docking station, battery LED lights will illuminate white while charging
- If lights are not on, remove machine and realign on docking station
- If one light is blinking white battery is at less than 10%
- For a full charge allow machine to charge for 4 hours
- 3 white lights indicate a fully charged battery