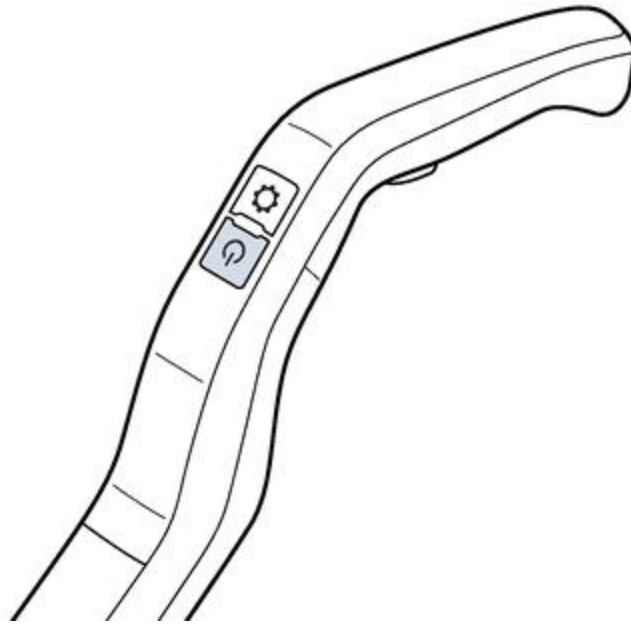


My CrossWave® Cordless Max brush is not turning | Support

My CrossWave® Cordless Max Multi-Surface Wet Dry Vac brush is not turning

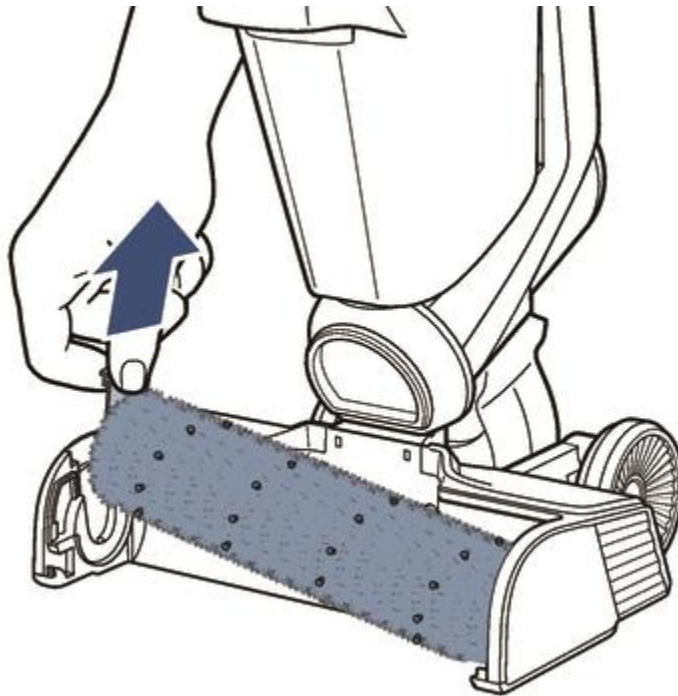
- Turn machine on by clicking power button



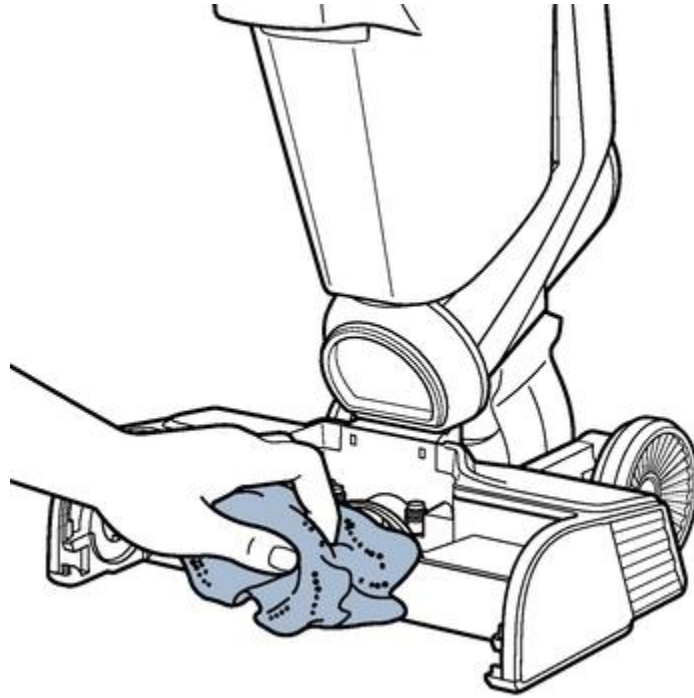
- Recline machine to activate brush roll
- 3 red LED lights in battery icon will start flashing and then turn solid, this may indicate an obstruction in brush roll
- If brush roll does not turn, power machine off by pushing power button, the red lights should turn off
- Put machine back in upright position
- Remove brush window by pulling up on front of brush roll window



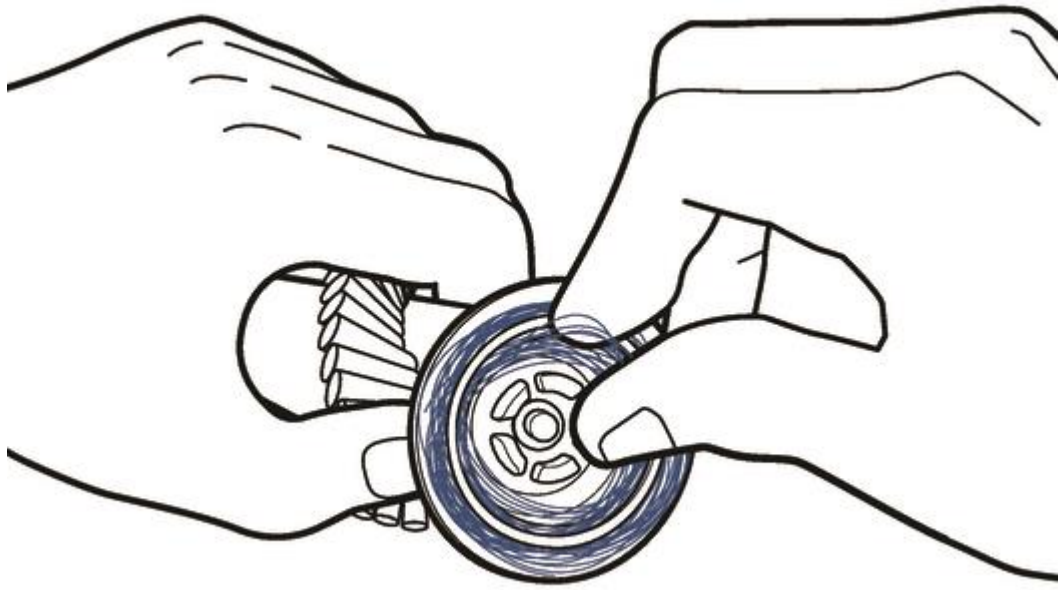
- Pull tab on left side of brush roll to remove

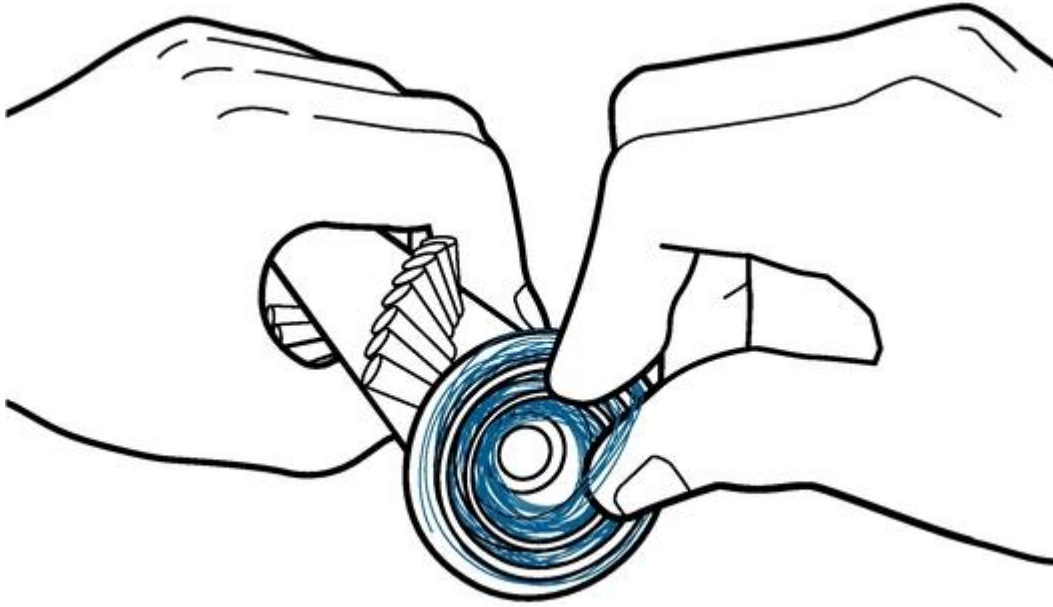


- Clear all debris from brush roll, brush ends, brush gear, and brush housing

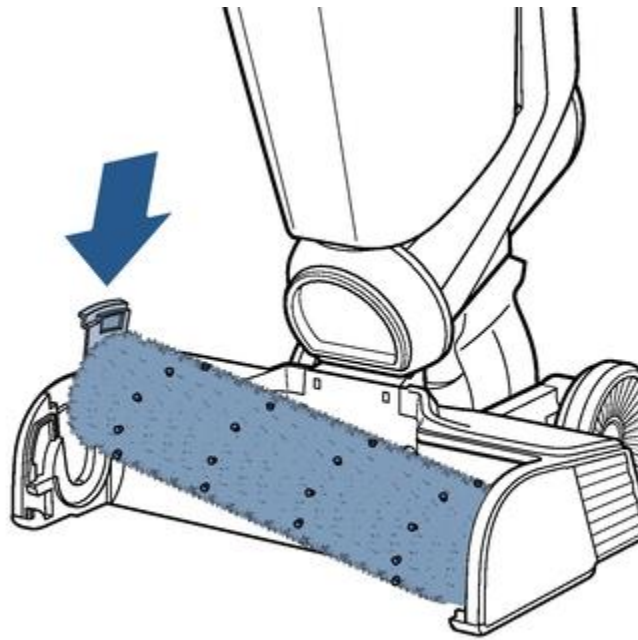
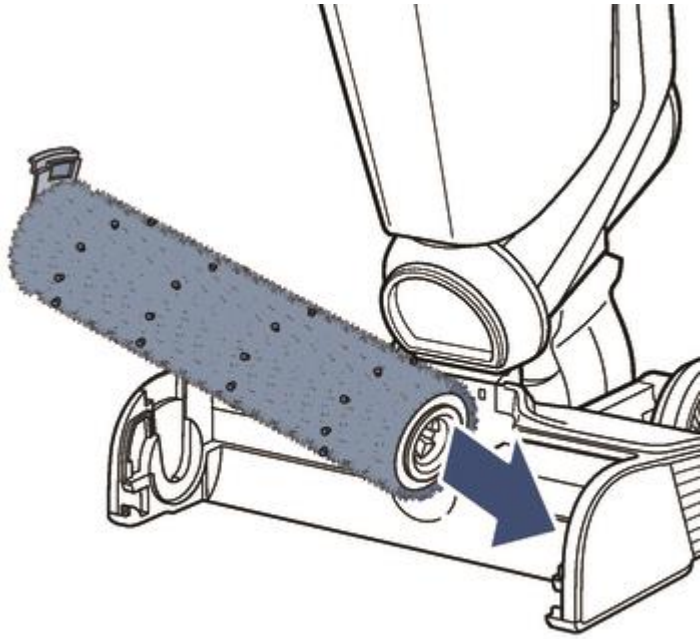


- Test brush by holding colored pull tab and spinning other end
- If brush does not spin, a replacement brush is needed
- Check for significant wear/tear to gray colored end of the brush (opposite pull tab)
- It is normal for brush roll to have some marks after use - it will not affect any function

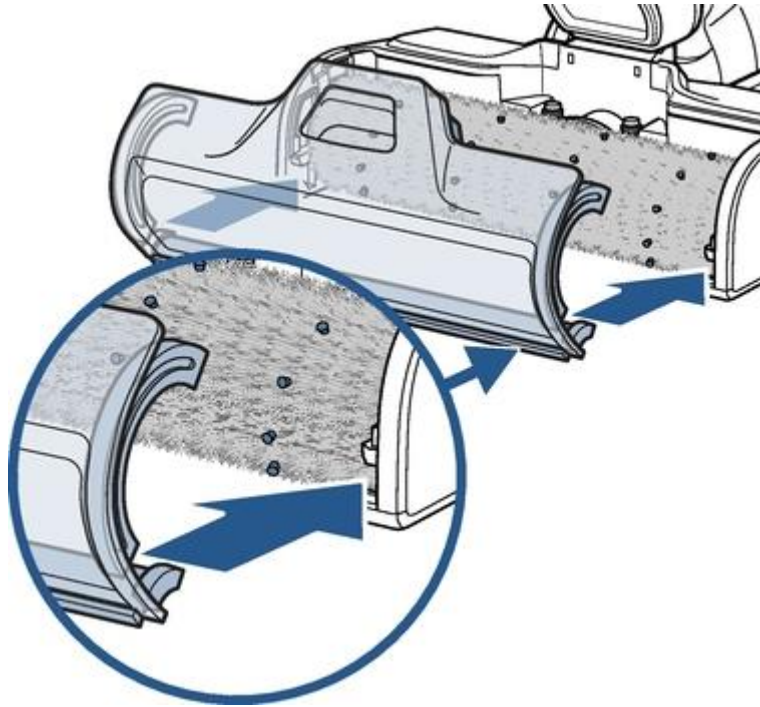




- Check gear on foot that end of brush inserts into, remove debris & turn gear by hand
- If it doesn't spin or is deformed, [Contact Us](#)
- Reinstall brush roll by inserting gray tipped end into right side of machine and then pressing down on colored tab until it clicks into place



- Reattach brush roll window
 - Line up tabs on front edges of foot and then rotate window into place until it clicks



- Power machine on, recline, and test to see if brush roll will turn
- If brush is still not turning, [Contact Us](#)