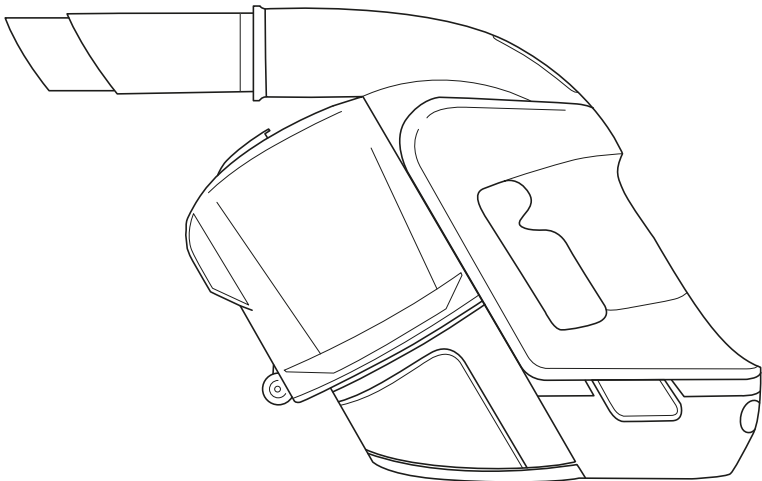


# MULTI Hand Vacuum

---

USER GUIDE  
2169 SERIES



# IMPORTANT SAFETY INSTRUCTIONS



**IMPORTANT: READ ALL INSTRUCTIONS BEFORE USE.  
RETAIN INSTRUCTIONS FOR FUTURE REFERENCE.**



Do not use in rain or leave outdoors while raining.



**WARNING:** Basic safety precautions should always be observed when using an electrical appliance, including the following to reduce the risk of fire, electrical shock or injury:

## Personal Safety:

- Store indoors in a dry place out of the reach of children.
- Always use responsibly. This appliance can be used by children aged from 8 years and above and persons with reduced physical, sensory or mental capabilities or lack of experience and knowledge if they have been given supervision or instruction concerning use of the appliance in a safe way and understand the hazards involved.
- Don't let children play with the appliance; supervise children using or maintaining the appliance.
- Use only manufacturer's recommended attachments as described in this manual; misuse or use of any accessory or attachment other than those recommended, may present a risk of personal injury.
- Take extra care when cleaning stairs.
- Keep the appliance and accessories away from hot surfaces.
- Do not block the appliances openings or hinder air flow; keep openings free of any objects including dust, lint, clothing, fingers (and all parts of the body).
- Particularly keep hair, hands and feet away from the Brush Roll and other moving parts.
- Do not store appliance leaning up against the wall.

## Electrical Safety:

- Only use batteries and chargers supplied by BISSELL®.
- Never modify the charger in any way.
- The charger has been designed for a specific voltage. Always check that the main's voltage is the same as that stated on the rating plate.
- A charger that is suitable for one type of battery pack may create a risk of fire when used with another battery pack; never use the charger with another appliance or attempt to charge this product with another charger.
- Before use, check the charger cable for signs of damage or aging. A damaged or entangled charger cable increases the risk of fire and electric shock.
- Do not abuse the charger cable.
- Never carry the charger by the cable.
- Do not pull the cable to disconnect from a socket; grasp the plug and pull to disconnect.
- Don't wrap the cable around the charger when storing.
- Keep the charger cable away from hot surfaces and sharp edges.
- The supply cable cannot be replaced. If the cable is damaged the charger should be discarded and replaced.
- Do not handle the charger or the appliance with wet hands.
- Do not store or charge the appliance outdoors.

- The charger must be removed from the socket before removing the battery, cleaning or maintaining the appliance.
- Ensure the appliance is OFF before connecting or disconnecting the motorised Brush Roll.

### **Battery Safety:**

- This appliance includes Li-Ion batteries; **do not incinerate batteries or expose to high temperatures**, as they may explode.
- Liquid ejected from the battery may cause irritation or burns.
- In an emergency situation contact professional help immediately!
- Leaks from the battery cells can occur under extreme conditions. Do not touch any liquid that leaks from the battery. If the liquid gets on skin, wash immediately with soap and water. If the liquid gets into eyes, flush them immediately with clean water for a minimum of 10 minutes and seek medical attention. Wear gloves to handle the battery and dispose of immediately in accordance with local regulations.
- Shorting the battery terminals may cause burns or fire.
- When the battery pack is not in use, keep it away from paper clips, coins, keys, nails, screws, or other small metal objects that could make a connection from one terminal to another.
- When you dispose of the appliance remove the battery and dispose of the battery safely in accordance with local regulations.

### **Service:**

- Before using the appliance and after any impact, check for signs of wear or damage and repair as necessary.
- Do not use the appliance if any part is damaged or defective.

- Repairs should be carried out by a service agent or a suitably qualified person in accordance with relevant safety regulations. Repairs by unqualified persons could be dangerous.
- Never modify the appliance in any way as this may increase the risk of personal injury.
- Only use replacement parts or accessories provided or recommended by BISSELL®.

### **Intended Use:**

- This appliance has been designed for domestic dry vacuum cleaning only.
- Do not pick up liquids or use on wet surfaces.
- Do not pick up anything that is flammable, burning or smoking.
- Use only as described in this manual.
- Don't use on concrete, tarmacadam or other rough surfaces.
- The Brush Roll may damage certain floor surfaces. Before vacuuming flooring, rugs or carpets, check the flooring manufacturer's recommended cleaning instructions. If damage occurs, stop use immediately.
- May damage delicate fabrics or upholstery. Care should be taken on loose-weave fabrics or where there are loose threads. If in doubt please test on an inconspicuous area first. If damage occurs, stop use immediately.

### **WARNING:**

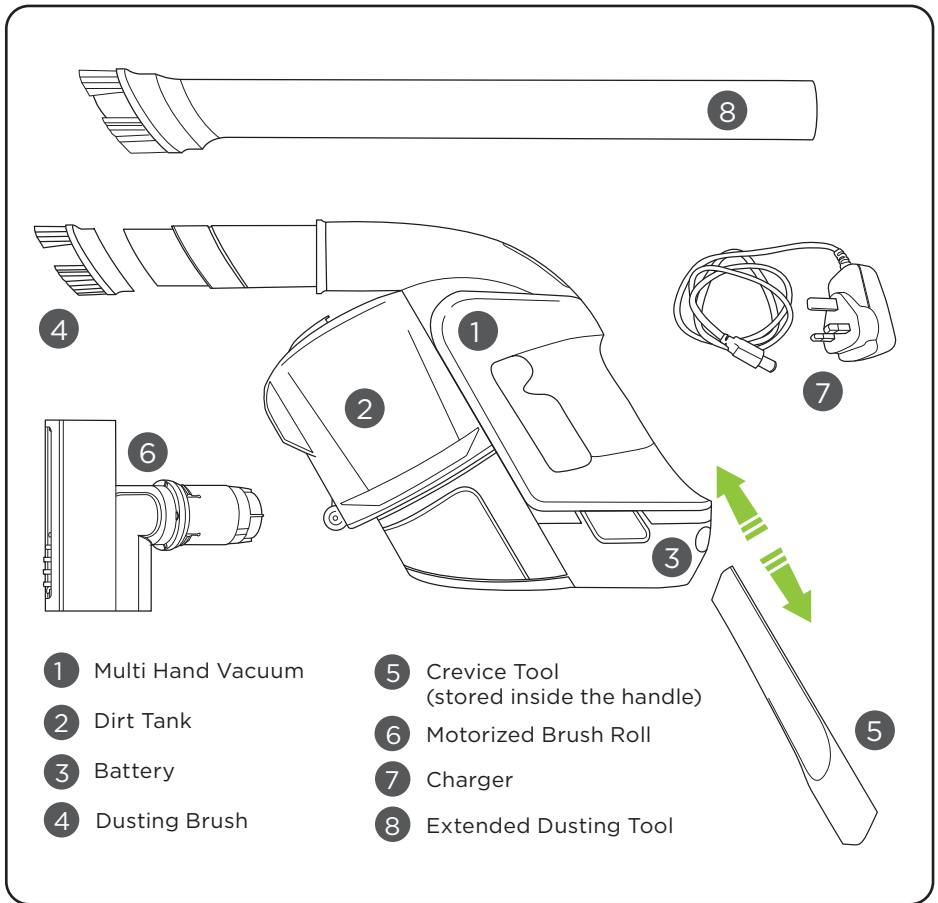
- **Do not use water, solvents or polishes to clean the outside of the appliance; wipe clean with a dry cloth.**
- **Never immerse the unit in water and do not clean in a dishwasher.**
- **Never use the appliance without the filter fitted.**

# Thanks for buying a BISSELL® vacuum!

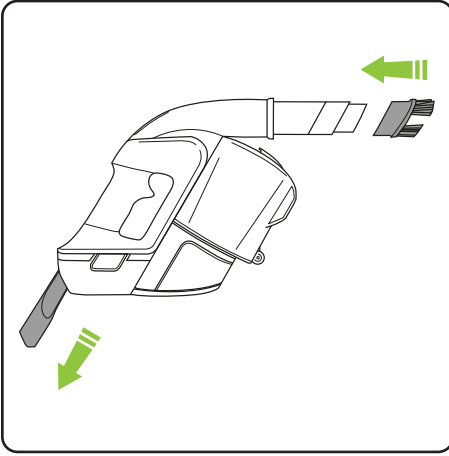
We love to clean and we're excited to share one of our innovative products with you. We want to make sure your Multi Hand Vacuum works as well as it does today for years to come, so this guide has tips on using, maintaining, and if there is a problem, troubleshooting.

In just a few simple assembly steps, you'll be ready to vacuum. Let's get started!

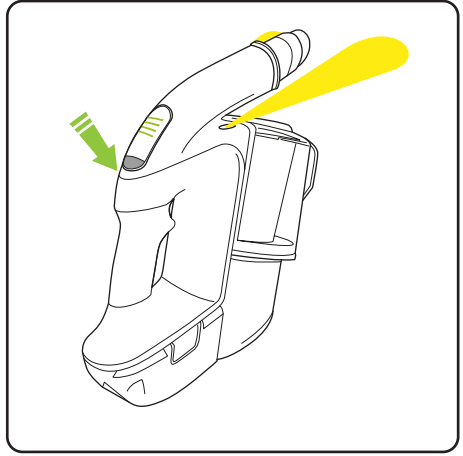
## What's in the Box



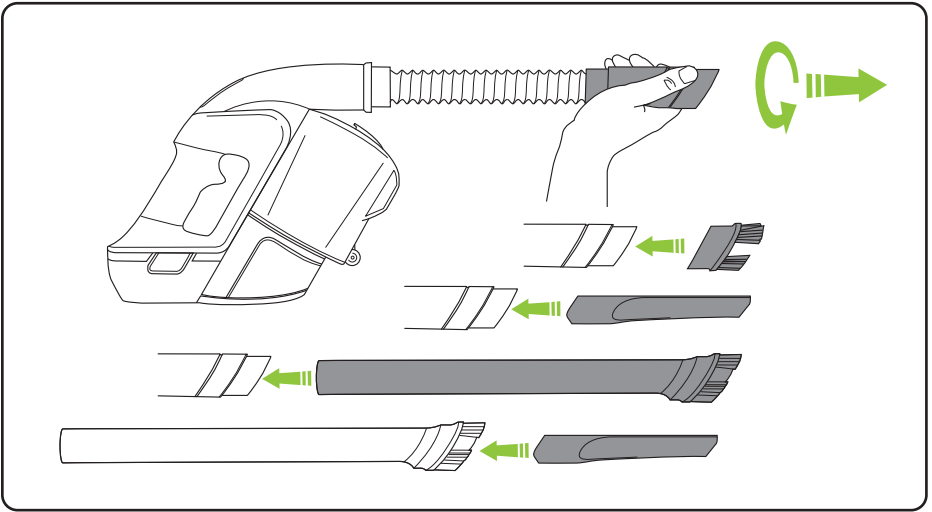
## Using Your Multi Hand Vacuum



You can use the Multi Hand Vacuum straight out of the box. The Dusting Brush can be slotted onto the nozzle. The Crevice Tool is stored inside the handle.

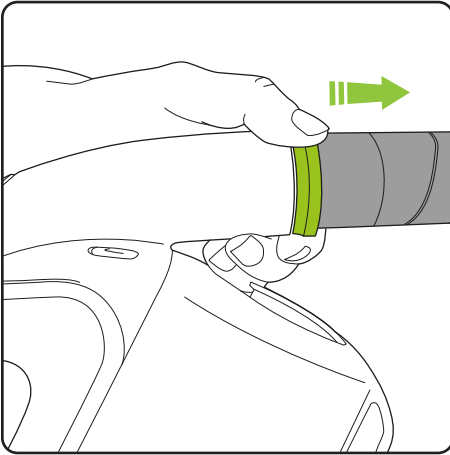


Push the button to switch the Multi Hand Vacuum ON. Push again to switch OFF.

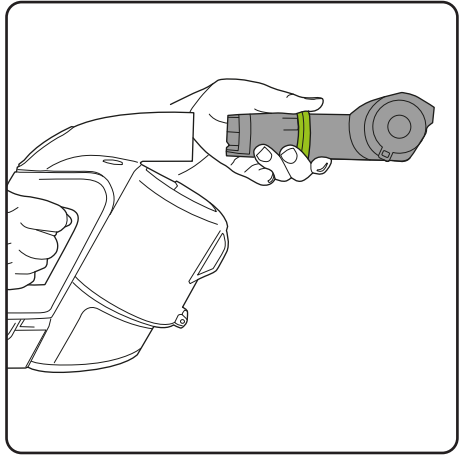


An extendable hose is built into your Multi. Twist and pull the black tube forward to release it. The Dusting Brush, Crevice Tool and Extended Dusting Tool all fit onto the standard nozzle. The Crevice Tool will also fit onto the extension tube.

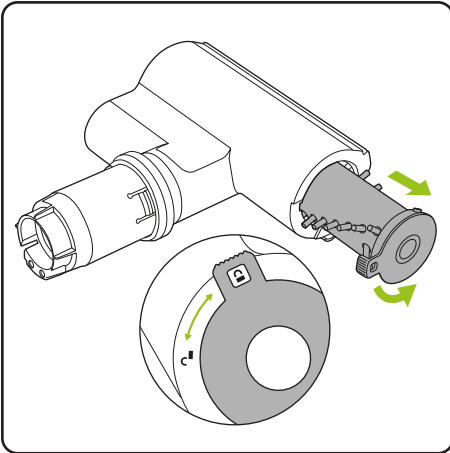
## Cleaning the Motorized Brush Roll



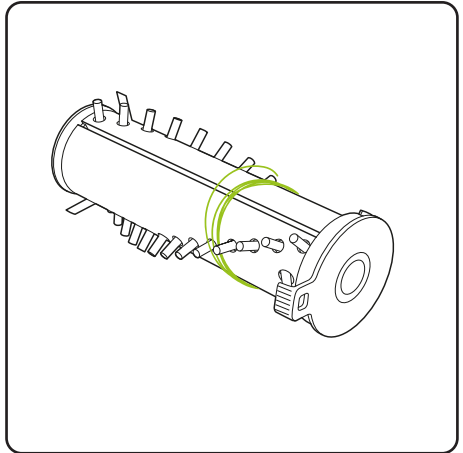
Make sure the vacuum is OFF. Find the green ring on the nozzle. Grasp the green ring and move the ring towards the direction shown above. The nozzle will come off.



To attach the Motorized Brush Roll, slide it into place until the locking ring clicks back. The power button will power the brush as well as the suction.

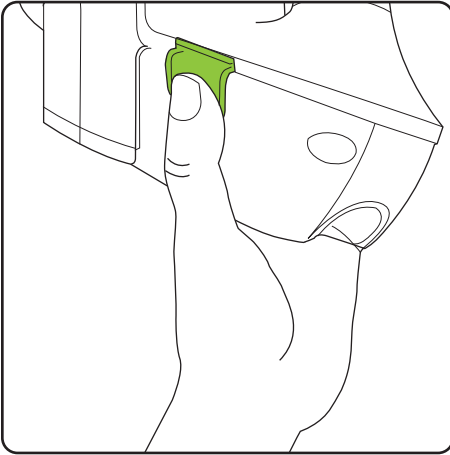


To clean the Brush Roll, first remove the Motorized Brush Roll from the hand vacuum. Rotate the latch from the lock to the unlock position and pull the Brush Roll out of the housing.

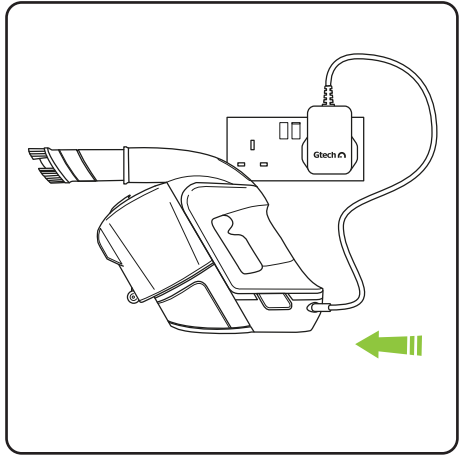


With the Brush Roll removed, clean the Brush Roll as necessary. Never operate the Motorized Brush Roll without the Brush Roll in place.

## Charging the Battery



When the lights are depleting red, recharge the battery. Press the green buttons and pull to remove the battery. The battery can be charged on or off the unit.



Plug the charger into the wall outlet. Locate the charging port as indicated above by the arrow and connect to begin charging.

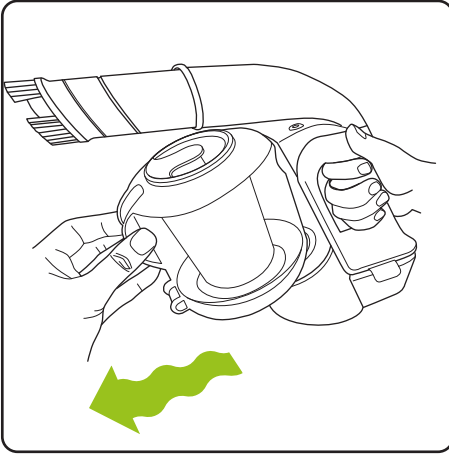


After 5 hours the LEDs turn green and charging is complete.

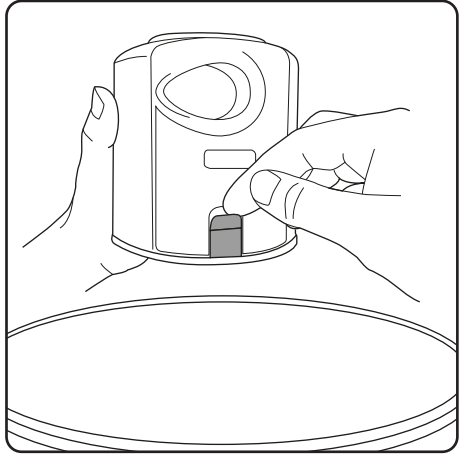


It is OK to charge for 1 hour for a burst of cleaning.

## Emptying the Dirt Tank

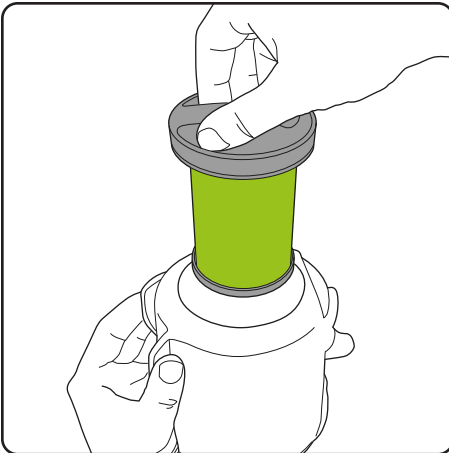


To remove the Dirt Tank, firmly grasp the Dirt Tank and pull out.

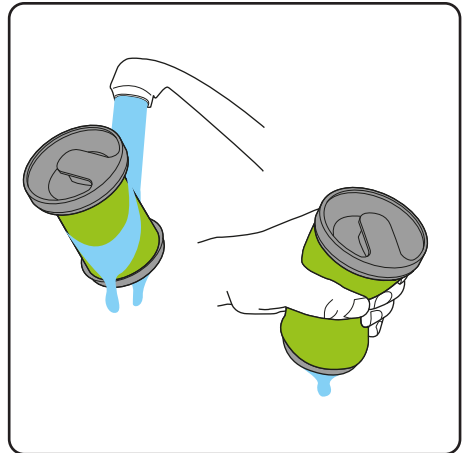


To empty, locate the release latch and pull to open the Dirt Tank and empty. You may also remove the filter from the Dirt Tank and gently tap the filter to help remove excess dust and debris.

## Removing and Cleaning the Filter



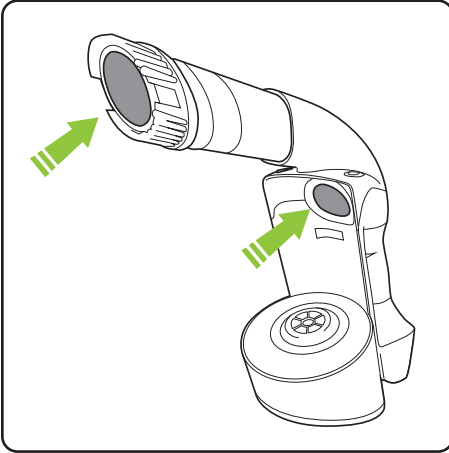
Remove the filter by pulling it from the top of the tank. Tap the dirt from the filter and tip any dirt from the filter housing. Wash the filter if necessary.



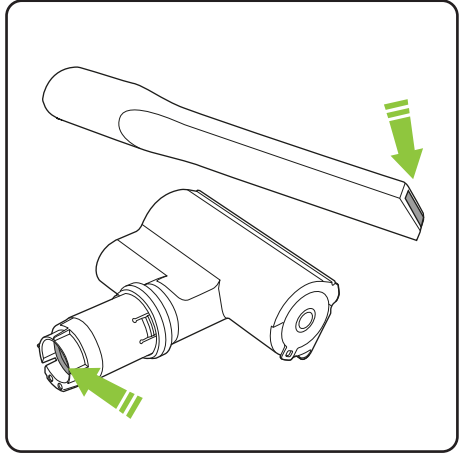
You may gently wash the filter under warm water. Do not use detergents or soaps. The filter must be completely dry before putting it back in the Dirt Tank. **Never put the tank back without the filter inside as it could damage the motor.**



## Clearing a Blockage

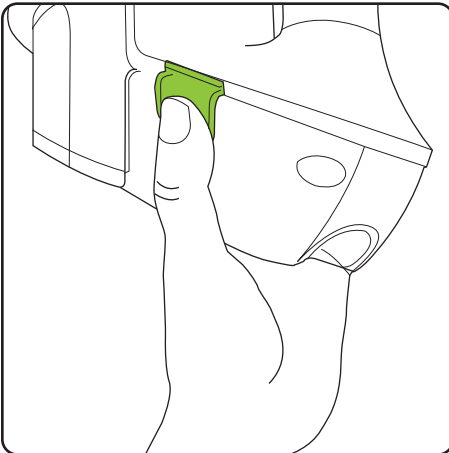


Remove the battery and tank and look through both ends of the tube. Remove any blockages.



Check the tools for blockages as well.

## Removing the Battery



Press the green buttons and pull to remove the battery. The battery can be charged on or off the main unit.

## Product Care

Your BISSELL® Multi Hand Vacuum doesn't need much maintenance: keep the filter clean, check for blockages, remove hair from the Brush Roll, and charge the battery. Wipe it with a dry cloth if it gets dirty, including the area under the Dirt Tank. Never wash it with liquid, run it under a tap or use it without the filter.

## Troubleshooting

### **WARNING**

To reduce the risk of electric shock, turn power OFF and disconnect plug from electrical outlet before performing maintenance or troubleshooting checks.

<b>Problem</b>	<b>Possible causes</b>	<b>Remedies</b>
<b>Multi Hand Vacuum won't turn ON</b>	Battery isn't fully charged	Charge battery following instructions on page 7
	Wrong charger being used	Be sure to use only the charger supplied with your product
<b>Multi Hand Vacuum is not cleaning well</b>	Dirt Tank is full	Empty Dirt Tank
	Dirt Tank is not installed properly	Position tank correctly and snap firmly into place
	Filters need cleaning	Follow filter cleaning instructions on page 8
	Filters need replacing	Visit <a href="http://www.global.BISSELL.com">www.global.BISSELL.com</a> to order replacement filters
	Clog or obstruction	Clean the holes in the filter housing and check for blockages
	Clog or obstruction in Motorized Brush Roll	Remove the Brush Roll to clean and remove any blockages, see page 6
Clog or obstruction in Extension Wand or Crevice Tool	Look through both ends of the wand to remove any blockages	

# Guarantee

This guarantee gives you specific legal rights, in addition to rights you may have under the *Australian Consumer Law*. If you need additional instruction regarding this guarantee or have questions regarding what it may cover, please contact your local BISSELL Consumer Care on the details set out below.

## BISSELL® Two Year Guarantee

Subject to the \*conditions identified below, BISSELL will repair or replace (with new, refurbished, lightly used, or remanufactured components or products), at BISSELL's option, free of charge from the date of purchase by the original purchaser, for two years any defective or malfunctioning part due to manufacturer defect. This guarantee applies to product used for personal purposes, and not commercial or rental service. This guarantee does not apply to fans or routine maintenance or consumable components such as filters, belts, Brush Rolls, etc., damage or malfunction caused by negligence, abuse, neglect, unauthorized repair, or any other use not in accordance with the user guide. BISSELL recommends that the original packaging be kept for the duration of the guarantee period in case such need arises within the guarantee period that the item needs re-packing and transportation.

### \*Conditions of Guarantee

Subject to whether such loss is reasonably foreseeable, BISSELL and its in-country distributors are not liable for incidental or consequential damages of any nature associated with the use of this product.

**For Australian Consumers Only:** Our goods come with guarantees that cannot be excluded under the *Australian Consumer Law*. You are entitled to a replacement or refund for a major failure and for compensation for any other reasonably foreseeable loss or damage. You are also entitled to have the goods repaired or replaced if the goods fail to be of acceptable quality and the failure does not amount to a major failure.

This guarantee is in addition to other rights or remedies under law. Nothing in this guarantee excludes, limits or modifies any liability of BISSELL which is imposed by law, or limits or modifies any remedy available to the consumer which is granted by law. To make a claim under this guarantee contact BISSELL Australia PTY LTD (details above). Contact BISSELL prior to returning any goods. Where agreed, BISSELL will reimburse reasonable postage / handling costs (if any) for returning goods to BISSELL. To claim expenses incurred in making a claim under this guarantee please provide BISSELL with a copy of the receipt of the expenses by email or post.

## Consumer Care

### Australia

Telephone: 1300 247 735  
Website: [www.BISSELL.com.au](http://www.BISSELL.com.au)

### New Zealand

Telephone: 0800 247 735  
Website: [www.BISSELL.co.nz](http://www.BISSELL.co.nz)



## We're Waggin' Our Tails!

BISSELL® proudly supports BISSELL Pet Foundation® and its mission to help save homeless pets. When you buy a BISSELL product, you help save pets, too. We're proud to design products that help make pet messes, odors and pet homelessness disappear. Visit [BISSELLsavespets.com](https://www.bissellsavespets.com) to learn more.

