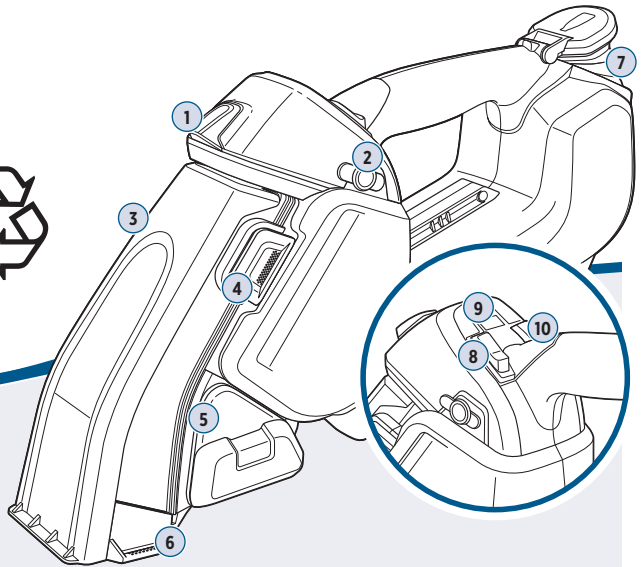
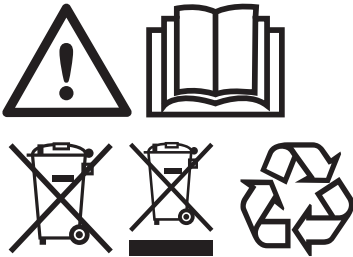


Bissell®



STAIN ERASER PET PORTABLE CARPET CLEANER MODEL 3318F

Important Safety Instructions.....2
What's in the Box?.....3
Charging the Battery3
Positioning the Machine Correctly.....4
Spot Cleaning Carpet & Upholstery.....4
Removing & Emptying the Dirty Water Tank5
After-Cleaning Care6
Storing Your Machine.....7
Troubleshooting.....7
Limited Warranty8



Product View

- 1. Spray Nozzle
- 2. Charging Port
- 3. Removable Suction Lens
- 4. Tank Release Latch
- 5. Dirty Water Tank
- 6. Removable Scrub Brush
- 7. Formula Tank
- 8. Spray Switch
- 9. Battery Status Indicator Light
- 10. Power Switch

SYMBOL	EXPLANATION
	Caution.
	Read operator's manual.
	Risk of fire.
	Do not expose to rain.
	Store indoors.
	Do not overwet carpet. Use only on carpet moistened by the cleaning process.
	Use only BISSELL® cleaning formulas intended for use with this machine.

SYMBOL	EXPLANATION
	Lock.
	Do not dry clean.
	Detachable power supply unit.
	Use warm water, temperature up to 60°C.
	Do not freeze.
	Recycle.

SYMBOL	EXPLANATION
	Check the manufacturer's tag before cleaning textile. "W" on the tag as shown means you can use your cleaner.
	This symbol means to recycle. Do not mix batteries with general household waste. Recycle used batteries at your nearest recycling center.
	This symbol on the product and/or accompanying documents means that used electrical and electronic products should not be mixed with general household waste. For proper treatment, recovery and recycling, please take this product to designated collection points. Please contact your local authority for further details of your nearest designated collection point.

IMPORTANT SAFETY INSTRUCTIONS

READ ALL INSTRUCTIONS BEFORE USING YOUR APPLIANCE. When using an electrical appliance, basic precautions should be observed, including the following:

WARNING

TO REDUCE THE RISK OF FIRE, ELECTRIC SHOCK OR INJURY:

- This appliance can be used by children aged from 8 years and above and persons with reduced physical, sensory or mental capabilities or lack of experience and knowledge if they have been given supervision or instruction concerning use of the appliance in a safe way and understand the hazards involved. Cleaning and user maintenance shall not be made by children without supervision.
- Children should be supervised to ensure that they do not play with the appliance.
- Do not immerse in water or liquid.
- Keep hair, loose clothing, fingers, and all parts of body away from openings and moving parts of the appliance and its accessories.
- Do not use with damaged cable or plug.
- If the charger supply cable is damaged, it must be replaced by the manufacturer, its service agent or similarly qualified person in order to avoid a hazard.
- Do not incinerate the appliance even if it is severely damaged. The batteries can explode in a fire.
- The battery is to be disposed of safely.
- Under abusive conditions, liquid may be ejected from the battery; avoid contact. If contact accidentally occurs, flush with water. If liquid contacts eyes, additionally seek medical help. Liquid ejected from the battery may cause irritation or burns.
- Recharge only with the charger specified by the manufacturer. A charger that is suitable for one type of battery pack may create a risk of fire when used with another battery pack.
- Do not use with damaged cord or charger. If appliance is not working as it should, has been dropped, damaged, left outdoors, or dropped into water, return it to a service center.
- Use only the type and amount of liquids specified under the operations section of this guide.
- Liquid must not be directed towards equipment containing electrical components.
- Turn off all controls before unplugging.
- Do not pull or carry charger by cable, use cable as a handle, close door on cable, or pull cable around sharp edges or corners.
- Keep charger cable away from heated surfaces.
- To unplug, grasp the charger plug, not the cable.
- Do not handle charger plug or appliance with wet hands.
- Do not charge the unit outdoors.
- Prevent unintentional starting. Ensure the switch is in the OFF-position before picking up or carrying the appliance. Carrying the appliance with your finger on the switch or energising appliance that have the switch on invites accidents.
- Do not use appliance that is damaged or modified. Damaged or modified batteries may exhibit unpredictable behavior resulting in fire, explosion or risk of injury.
- Do not expose appliance to fire or excessive temperature. Exposure to fire or temperature above 130°C may cause explosion.
- Have servicing performed by a qualified repair person using only identical replacement parts. This will ensure that the safety of the product is maintained.

- Follow all charging instructions and do not charge the appliance outside of the temperature range specified in the instructions. Charging improperly or at temperatures outside of the specified range may damage the battery and increase the risk of fire.
- Do not modify or attempt to repair the appliance except as indicated in the instructions for use and care.
- Keep the temperature range of between 4-40°C when charging battery, storing unit or during use.
- Plastic film can be dangerous. To avoid danger of suffocation, keep away from children.
- Use only as described in this user guide.
- Use only manufacturer's recommended attachments.
- If appliance is not working as it should, has been dropped, damaged, left outdoors, or dropped into water; do not attempt to operate it and have it repaired at an authorised service center.
- Do not put any object into openings.
- Do not use with any opening blocked; keep free of dust, lint, hair, and anything that may reduce air flow.
- Use extra care when cleaning on stairs.
- Do not use to pick up flammable or combustible liquids, such as petroleum, or use in areas where they may be present.
- Do not pick up toxic material (chlorine bleach, ammonia, drain cleaner, etc.).
- Do not use appliance in an enclosed space filled with vapours given off by oil base paint, paint thinner, some moth-proofing substances, flammable dust, or other explosive or toxic vapours.
- Do not pick up anything that is burning or smoking, such as cigarettes, matches or hot ashes.
- Do not expose to rain. Store indoors.
- The appliance is only to be used with the power supply unit provided with the appliance.
- For the purposes of recharging the battery, only use the detachable supply unit provided with this appliance.
- Do not mix batteries with general household waste. Recycle used batteries at your nearest recycling center.
- Do not use the appliance during charging.
- CAUTION: Only allow children at least 8 years old to use the battery charger. Give sufficient instruction so that the child is able to use the battery charger in a safe way and explain that it is not a toy and must not be played with. Instruct the child not to try and recharge non-rechargeable batteries because of the danger of eruption.
- Examine the battery charger regularly for damage, especially the cord, plug and enclosure.
- If the battery charger is damaged, it must not be used until it has been repaired.
- For specific battery removal instructions visit global.BISSELL.com.
- This appliance must only be supplied at safety extra low voltage corresponding to the marking on the appliance.
- This appliance contains batteries that are not replaceable by skilled persons.
- Unplug charger from electrical socket when not in use, before cleaning, maintaining or servicing the appliance, and if your appliance has an accessory tool with a moving brush, before connecting or disconnection the tool.
- Floor slippery when wet.
- The battery must be removed from the appliance before it is scrapped.
- The appliance must be disconnected from the supply mains when removing the battery.

SAVE THESE INSTRUCTIONS

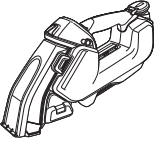

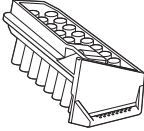
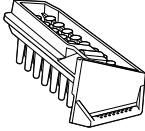
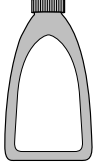
ORIGINAL INSTRUCTIONS. FOR OPERATION ON A 220-240 VOLT A.C. 50-60 HZ POWER SUPPLY ONLY. THIS MODEL IS FOR HOUSEHOLD USE ONLY.

IMPORTANT INFORMATION

- To reduce the risk of a leaking condition, do not store unit where freezing may occur. Damage to internal components may result.
- Plastic tanks are not dishwasher safe. Do not put tanks in dishwasher.
- This product contains Li-ion rechargeable batteries.

What's in the Box?

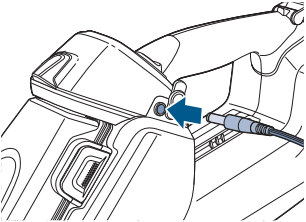
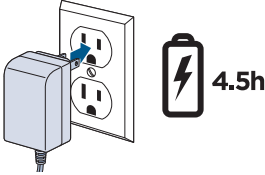
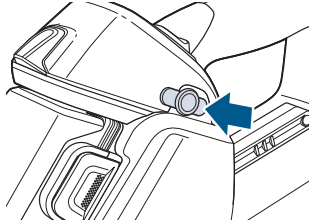
Standard accessories may vary by model. To identify what should be included with your purchase, please refer to the "Carton Contents" list located on the carton top flap.

				
Machine	Charger	Removable Scrub Brush (preinstalled)	Pet Tool (select models)	Trial Formula(s) (vary by model)

Charging the Battery

➤ If you need additional help charging your battery, head to global.BISSELL.com.



		
1. Charge machine before use. Make sure the machine is OFF and the battery status indicator lights are not illuminated. Remove charging port plug and insert charger.	2. Plug the charger into a wall outlet. The battery status indicator lights will illuminate when charging. Note: For maximum run time up to 15 minutes, charge for 4.5 hours prior to use.	3. After charging, replace charging plug into port.

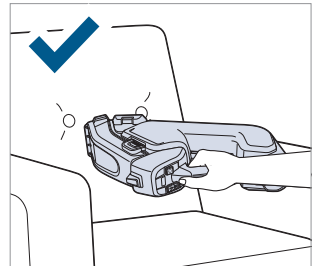
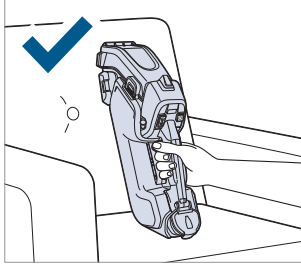
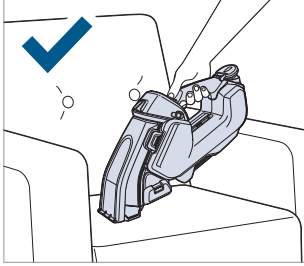
NOTICE Use of cleaning formulas which contain lemon or pine oil may damage this appliance and void the warranty. Chemical spot cleaners or solvent-based soil removers also should not be used. These products may react with the plastic materials used in your cleaner, causing cracking or pitting.

Positioning the Machine Correctly

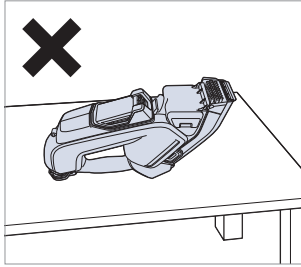
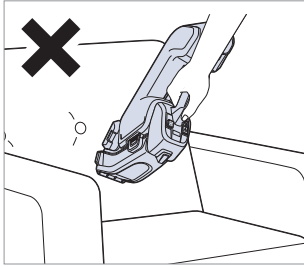
For more helpful tips like this, check out global.BISSELL.com.

To prevent leaking, ensure the machine is always in a horizontal or in an upright position.

Correct Positions

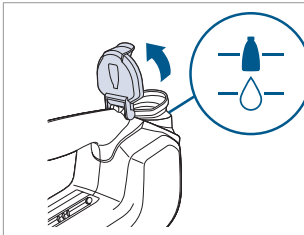


Incorrect Positions



Spot Cleaning Carpet & Upholstery

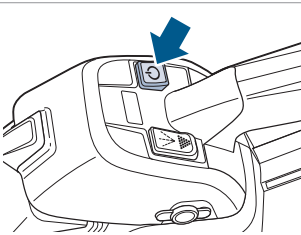
For additional tips and tricks visit global.BISSELL.com.



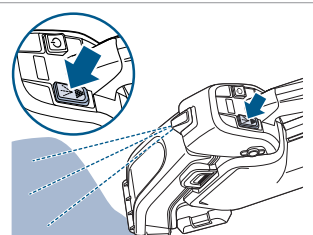
1. Flip the clean water tank cap to open.

Add water to the  line and formula to the  line.

Optional: Add 15mL of Oxy Boost.



2. Turn machine ON by pressing the power button.

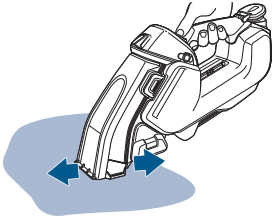
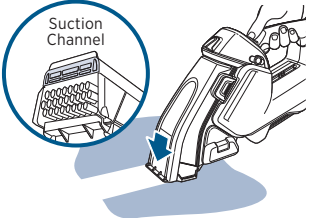
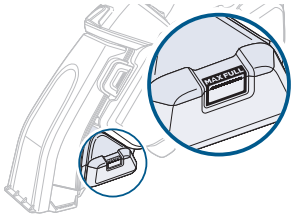


3. Tilt machine forward towards the stain and press the spray button to dispense formula.

CONTINUED ON NEXT PAGE 

IMPORTANT: Check the manufacturer's tag before cleaning upholstery. "W" or "WS" on the tag means you can use your Pet Stain Eraser. If tag is coded with an "S" (with diagonal strike-through), or says "Dry Clean Only," do not proceed. If manufacturer's tag is missing or not coded, check with your furniture dealer.

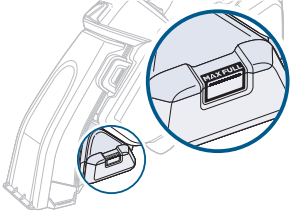
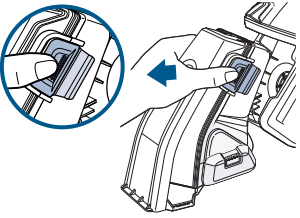
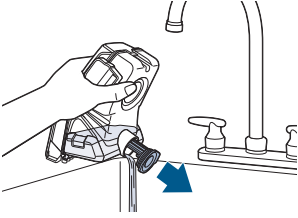
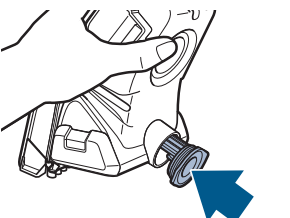
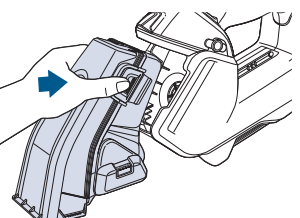
Spot Cleaning Carpet & Upholstery (continued)

		
<p>4. Scrub the area with the brush, keeping the nozzle flat on the ground, as shown.</p> <p>Tip: Turn machine off while scrubbing to allow formula to treat the stain.</p>	<p>5. For maximum suction, firmly press the suction channel down on the cleaning surface.</p> <p>Note: Area may be damp to touch after cleaning.</p>	<p>6. Empty dirty water tank when it reaches the “MAX FULL” line.</p>

Removing & Emptying the Dirty Water Tank

➤ For additional tips for maintaining your machine visit global.BISSELL.com.

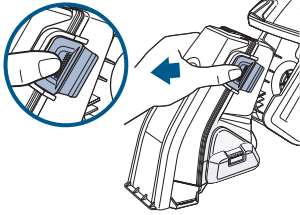


		
<p>1. Empty dirty water tank when it reaches the “MAX FULL” line.</p>	<p>2. Turn machine OFF. Squeeze tank release latches and pull to remove tank.</p>	<p>3. Pull the dirty water tank plug open and empty.</p> <p>Note: Plug remains attached to tank during emptying.</p>
		
<p>4. Press firmly on center of plug to close the tank.</p>	<p>5. Press the dirty tank back into the machine until it clicks into place.</p>	

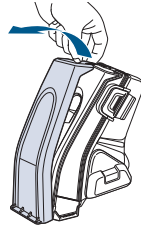
⚠ WARNING Keep spray away from face. Failure to do so may result in personal injury.

After-Cleaning Care

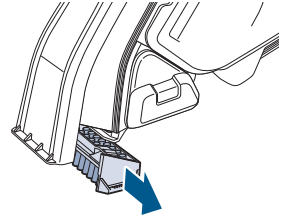
For more tips on how to maintain your machine, visit global.BISSELL.com.



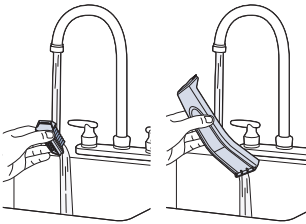
1. Squeeze tank release latches and pull to remove tank.



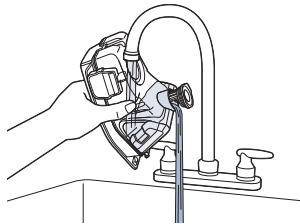
2. Release the removable suction lens by raising the latch at the top and pulling outward.



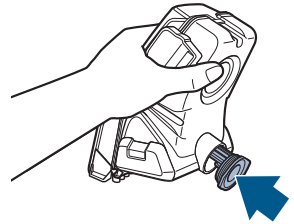
3. Empty the dirty water tank prior to removing the brush. Grip tab on brush and gently pull away.



4. Rinse the suction lens and brush.



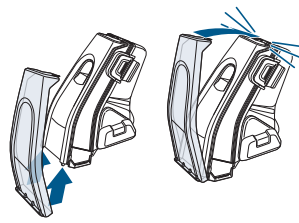
5. With the drain plug open, rinse the tank by running water through the front and out through the plug opening.
Note: Plug will not fully remove from tank.



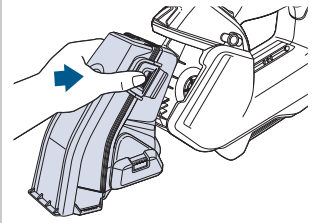
6. Allow tank to dry. Push plug back into tank.



7. Push brush into opening until it clicks into place.



8. Hook the bottom of the suction lens to the machine and rotate closed until the latch clicks into place



9. Press the dirty tank back into the machine until it clicks into place.

⚠ WARNING To reduce the risk of fire, electric shock or injury, turn power OFF and disconnect from charger before performing maintenance or troubleshooting.

Storing Your Machine

For more helpful maintenance tips, check out global.BISSELL.com.



Before storing your machine, ensure the dirty water tank is empty. Unused formula may remain inside formula tank between uses. Machine should not be stored on its side. Store your machine in a protected, dry area.

Troubleshooting

Below are some of the issues you may run into. If you don't see the issue you're experiencing below, visit global.BISSELL.com.



Problem	Possible Cause	Remedies
Machine is not powering ON	Battery is depleted.	Charge machine before use.
Machine is leaking	Dirty water tank plug gasket is dirty.	Clean gasket.
	Dirty water tank and plug are not properly installed.	Remove and reinstall dirty water tank and plug until secured into place.
	Dirty water tank is full.	Empty tank. See "Removing & Emptying the Dirty Water Tank". Machine should not be stored on its side.
	Machine is tilted on its side, back or pointed directly downward.	Ensure machine is in horizontal or upright position.
Machine is not charging	Charger plug/cord not properly connected.	Make sure charger cord is secured into machine and charger plug is inserted fully into a working wall outlet.
Reduced or no spray	Pump not primed.	While the machine is turned ON, press and hold spray trigger for a few seconds.
	Spray nozzle clogged.	Clear debris from the spray nozzle using a paper clip.
	Machine is being used in an incorrect position.	Use machine in horizontal orientation. See "Positioning the Machine Correctly".
Reduced or no suction	Dirty water tank not properly installed.	Reinstall dirty water tank and confirm plug is secure.
	Removable suction lens not properly installed or is clogged.	Remove, clean, and reinstall suction lens. See "After-Cleaning Care".
	Removable suction lens not engaged with the carpet.	Tilt machine forward and press down firmly on the carpet.
	Debris on filter.	Remove debris from red filter behind dirty tank assembly.

Note: Other maintenance or service not included in the manual should be performed by an authorized service representative.

NOTICE

To reduce the risk of a leaking condition, do not store where freezing may occur. Damage to internal components may result.

WARNING

To reduce the risk of fire, electric shock or injury, turn power OFF and disconnect from charger before performing maintenance or troubleshooting.

Limited Warranty

This limited warranty is provided by BISSELL® International Trading Company B.V. ("BISSELL") and applies in Australia and New Zealand. It gives you specific rights. It is offered as an additional benefit to your rights under law. You also have other rights under The Australian Consumer Law or New Zealand Consumer Laws, whichever applies to you. You can find out about your legal rights and remedies by contacting your local consumer advice service. Nothing in this warranty will replace or lessen any of your legal rights or remedies. If you need additional instruction regarding this warranty or have questions regarding what it may cover, please contact BISSELL Consumer Care or contact your local distributor.

This warranty is given to the current owner of the product with the original sales receipt. The original sales receipt must include the product(s) purchased, the date purchased, and which country it was purchased from new. You must be able to evidence the date of purchase and show the product was purchased in Australia or New Zealand to submit a claim under this warranty. You will receive the warranty that is applicable to the country where your product was originally purchased, as shown on the original sales receipt. If you use the product outside of the country where it was purchased, your warranty may be void in BISSELL's sole discretion. It may be necessary to obtain some of your personal information, such as a mailing address, to fulfill the terms of this warranty. Any personal data will be handled pursuant to BISSELL's Privacy Policy, which can be found at global.BISSELL.com/privacy-policy.

Limited Two-Year Warranty

For two years from the date of purchase by the original purchaser, subject to the *EXCEPTIONS AND EXCLUSIONS identified below, BISSELL will repair or replace (with new, refurbished, lightly used, or remanufactured components or products), at BISSELL's option, free of charge, any defective or malfunctioning part or product.

BISSELL recommends that the original packaging and original proof of purchase with the date of purchase and country where purchased be kept for the duration of the warranty period in case you want to redeem the warranty during the warranty period. Keeping the original packaging will assist with any necessary re-packaging and transportation but is not a condition of the warranty.

If your product is replaced by BISSELL under this warranty, then the new item will benefit from the remainder of the term of this warranty (calculated from the date of the original purchase). The period of this warranty shall not be extended whether or not your product is repaired or replaced.

*Conditions of Warranty

This warranty applies to products used for personal domestic use and not commercial or hire purposes. Consumable components and attachments such as filters, belts, shells, water tanks, scraping strips, brushes, and mop pads, which must be replaced or serviced by the user from time to time, are not covered by this warranty.

This warranty does not apply to any defect arising from fair wear and tear, including but not limited to the battery discharging time shortening due to the aging or use. Damage or malfunction caused by the user or any third party whether as a result of accident, negligence, abuse, neglect, or any other use not in accordance with the user guide is not covered by this warranty. An unauthorised repair (or attempted repair) may void this warranty whether or not damage has been caused by that

repair/attempt. Removing or tampering with the Product Rating Label on the product or rendering it illegible will void this warranty.

Except as set out below, BISSELL and its distributors are not liable for any loss or damage that is not foreseeable or for incidental or consequential damages of any nature associated with the use of this product including without limitation loss of profit, loss of business, business interruption, loss of opportunity, distress, inconvenience, or disappointment. Except as set out below, BISSELL's liability will not exceed the purchase price of the product.

BISSELL does not exclude or limit in any way its liability for (a) death or personal injury caused by our negligence or the negligence of our employees, agents or subcontractors; (b) fraud or fraudulent misrepresentation; (c) or for any other matter which cannot be excluded or limited under law.

To make a claim under this warranty contact BISSELL Australia PTY LTD (details below). Contact BISSELL prior to returning any goods. Where agreed, BISSELL will reimburse reasonable postage / handling costs (if any) for returning goods to BISSELL. To claim expenses incurred in making a claim under this warranty please provide BISSELL with a copy of the receipt of the expenses by email or post.

For Australian Consumers Only: Our goods come with guarantees that cannot be excluded under the Australian Consumer Law. You are entitled to a replacement or refund for a major failure and compensation for any other reasonably foreseeable loss or damage. You are also entitled to have the goods repaired or replaced if the goods fail to be of acceptable quality and the failure does not amount to a major failure.

Important Notes

Please keep your original sales receipt. It provides proof of the date of purchase and where it was purchased in the event of a warranty claim. See warranty for details.

Please note that using your BISSELL machine outside of its country of original purchase and/or use with a power converter may damage your BISSELL machine and damage caused by mismatched power voltage will not be covered by your warranty.

Please note that putting vinegar, bleach, dish soap, detergent, homemade soap, and other non-BISSELL products in your BISSELL machine may damage your BISSELL machine. Damage caused by using non-BISSELL products in your machine will not be covered by your warranty.

Consumer Care

If your BISSELL product should require service or to claim under our limited guarantee, please contact us.

Australia

Telephone: 1300 247 735
Website: BISSELL.com.au
Address: 789 Springvale Road, Mulgrave, Victoria 3170
Email: consumercareau@bissell.com

New Zealand

Telephone: 0800 247 735
Website: www.BISSELL.co.nz
Address: 789 Springvale Road, Mulgrave, Victoria 3170
Email: consumercarenz@bissell.com

